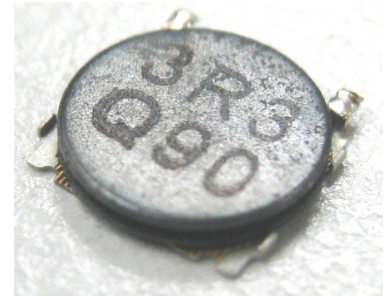
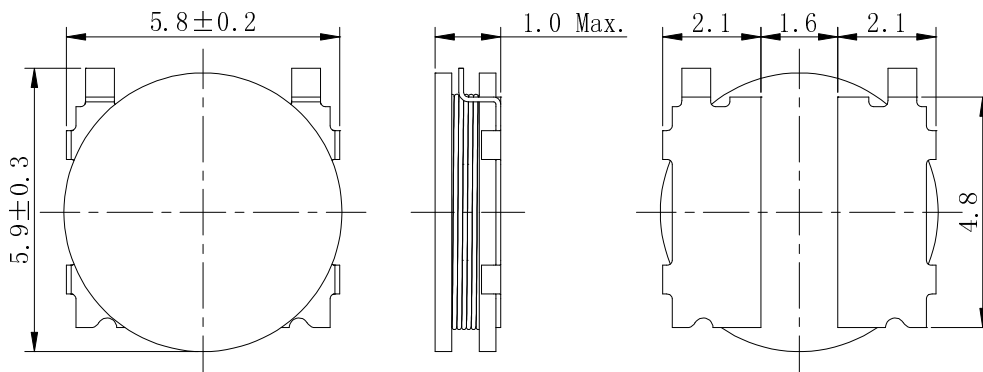
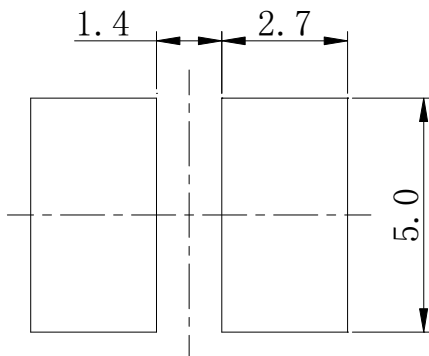
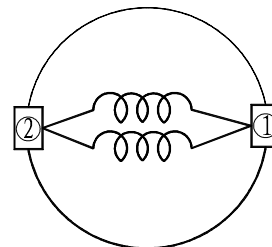


**Type: CDH5D09/SHP**
**◆ Product Description**

- 6.2×6.0mm Max.(L×W), 1.0mm Max. Height.
- Inductance range: 2.2~22.0μH.
- Rated current range: 0.76~2.1A.
- Custom design is available.


**◆ Feature**

- Magnetically unshielded construction.
- Storage temperature range: -40°C ~+105°C.
- Operating temperature range: -40°C ~+105°C (Including coil's self temperature rise).
- Ideally used PDA, MP3, DSC/ DVC etc as DC-DC converter inductors.
- Dropping impact reinforced type.
- Product weight: 0.116g (Ref.)
- RoHS compliance and Halogen free.

**◆ Dimensions (mm)**

**◆ Land Pattern (mm)**

**◆ Land Pattern (mm)**


**Type: CDH5D09/SHP**
**◆ Specification**

Part Name ※	Stamp	Inductance ( $\mu$ H) 100kHz/1V	D.C.R.( $\Omega$ ) Max.(Typ.) (20°C)	Saturation Current (A) ※1	Temperature Rise Current (A) ※2
CDH5D09SHPNP-2R2M□	2R2	2.2±20%	0.11(0.09)	2.50	2.10
CDH5D09SHPNP-3R3M□	3R3	3.3±20%	0.19(0.15)	2.10	1.50
CDH5D09SHPNP-4R7M□	4R7	4.7±20%	0.27(0.22)	1.60	1.20
CDH5D09SHPNP-5R6M□	5R6	5.6±20%	0.32(0.26)	1.50	1.13
CDH5D09SHPNP-6R8M□	6R8	6.8±20%	0.35(0.28)	1.40	1.10
CDH5D09SHPNP-8R2M□	8R2	8.2±20%	0.40(0.32)	1.34	1.05
CDH5D09SHPNP-100M□	100	10.0±20%	0.44(0.35)	1.20	1.00
CDH5D09SHPNP-120M□	120	12.0±20%	0.63(0.51)	1.07	0.85
CDH5D09SHPNP-150M□	150	15.0±20%	0.72(0.57)	0.97	0.82
CDH5D09SHPNP-180M□	180	18.0±20%	0.78(0.62)	0.93	0.78
CDH5D09SHPNP-220M□	220	22.0±20%	0.85(0.68)	0.83	0.76

**※ Description of part name**

CDH5D09SHPNP-2R2M□

- B Box
- C Carrier Tape

※1.Saturation current: The DC current at which the inductance decreases to 70% of its initial value.

※2.Temperature rise current: The DC current at which the temperature rise is  $\Delta t=40^{\circ}\text{C}$  ( $T_a=20^{\circ}\text{C}$ ).